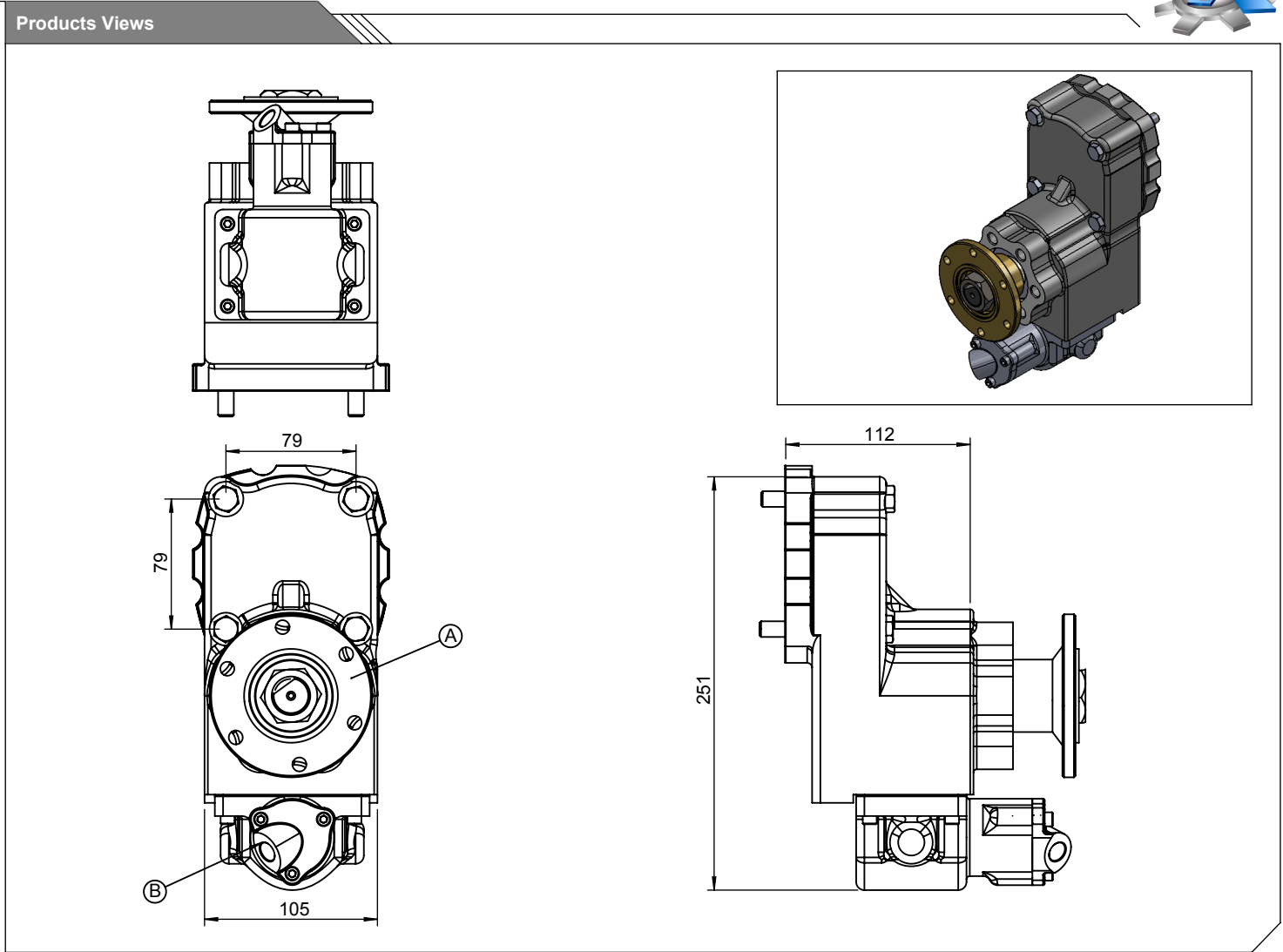


Vehicle Type	105.08-110.08-145.22 FATİH / 2014-2114 FORD CARGO/ AS 600 DODGE 1800 INTER/ FORD8000 / 1210-1212-1312 FORD (83-86) 1812-1814-2117-2517 FORD (86) 140-1340 BMC - GENOTO 570
Gearbox Type	EATON-HEMA 475 L SML-SMA-SMO-SME-CMA-CMO

Product Code	HM.3.475.UF
---------------------	--------------------



Component Details	
A : Drive Flange B : Air Inlet R 1/4"	

Technical Details					
Power	Maximum Torque		Input/Output	Mounting Side	Control Type
	kW	Nm			
42	401	41	1/1.25	Rear	Pneumatic
				Weight	Sense of Rotation
				10 kg	Opposite of Input



Ofis / Office
 Tel. +90 312 354 05 39
 Fax +90 312 354 34 59
 7. Sokak No: 9
 Ostim / ANKARA
 e-mail: info@kozmaksan.com.tr

Fabrika / Factory
 Tel. +90 312 267 39 71
 Fax +90 312 267 38 72
 AOS. 1. OSB. Erkunt Cad. No: 6
 Sincan / ANKARA
 Website: www.kozmaksan.com.tr